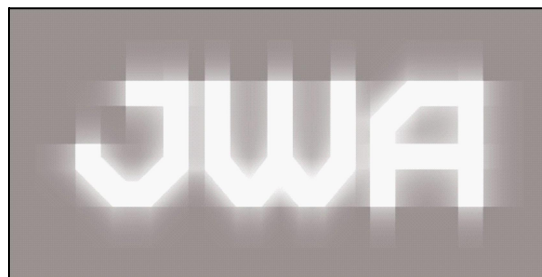
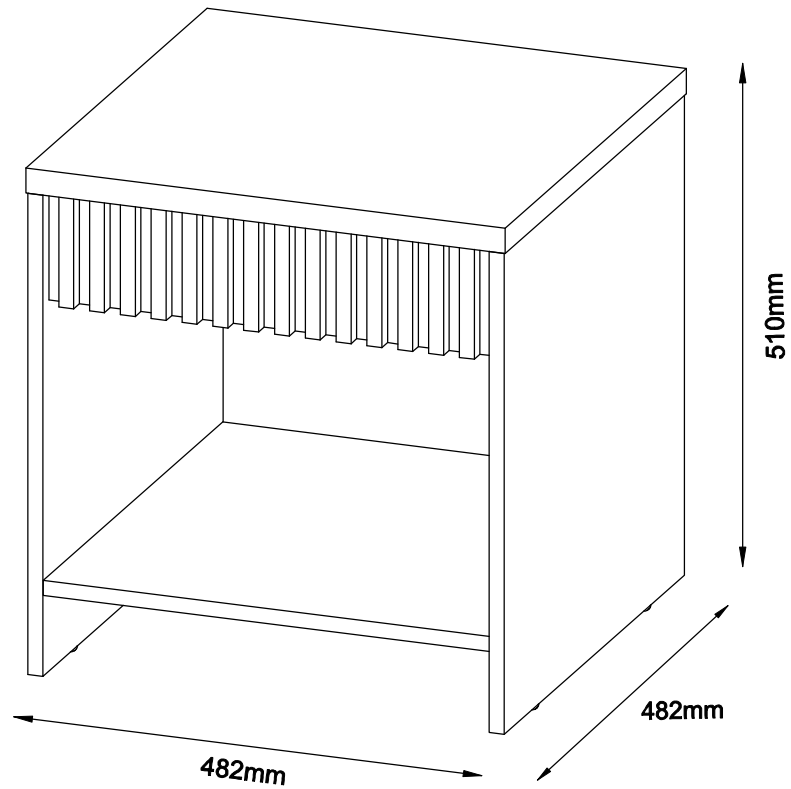


ASSEMBLY INSTRUCTION
STEPHENSON
BEDSIDE

ITEM CODE 83470/86825



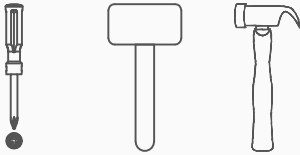





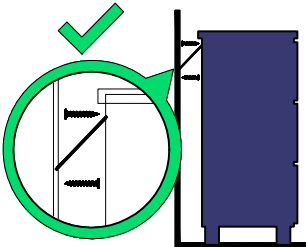

Imported by JWA Furniture Pty Ltd, Qld, Brisbane Australia
For any assistance with assembly or for missing parts please refer to your receipt

PRE-ASSEMBLY PREPARATION


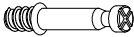




Before you start:

1. Choose a clean, level, spacious assembly area. Avoid hard surfaces that may damage the product.
2. Take care when lifting. Product should be assembled as near as possible to the point of use.
3. Ensure that you have all required contents for complete assembly.
4. Always read the assembly instructions carefully before beginning assembly.
5. Keep all hardware parts and packaging out of reach of small children.
6. Do not over tighten the screws and bolts as this may damage the threads.
7. Assembly is to be carried out by a competent adult(s) ONLY.
8. During assembly, children should be kept away from the product due to possible risk to injury.
9. Do not use this item if any components are missing or damaged.
10. Please keep the instructions for future reference.

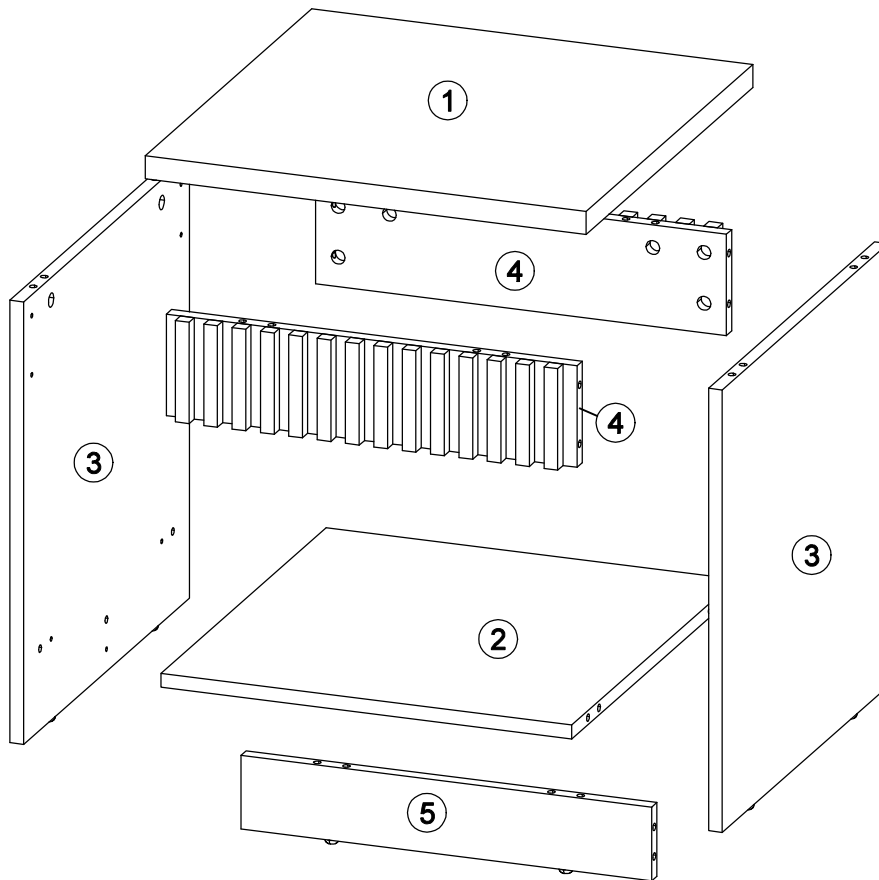
	
ALLOW 60 MINUTES	PEOPLE REQUIRED
	
ADDITIONAL TOOL REQUIRED	

 WARNING		
		<p>Children have died from furniture tipover.</p> <ul style="list-style-type: none">• ALWAYS secure it with an anchor device.• NEVER allow children to stand, climb or hang on drawers, doors, or shelves.• NEVER open more than one drawer at a time.• Place heavy items down low <p>NEVER put a TV on this furniture </p> <p>This is a permanent label. Do not remove!</p>

PARTS LIST

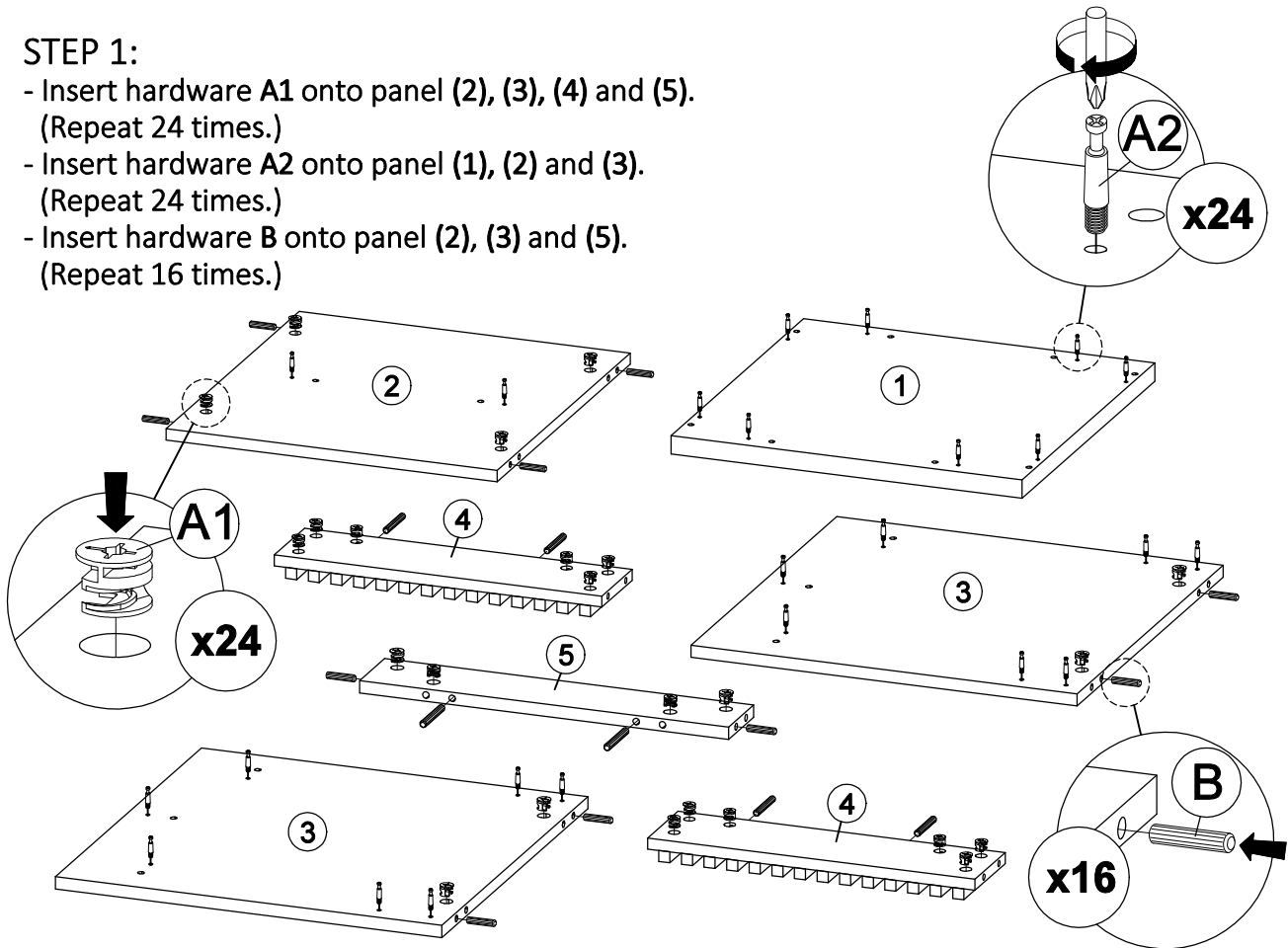
A X 24 SETS	B X 16	C X 6	D X 1
 A1	 A2 MINIFIX	 A3	 WOOD DOWEL M8 X 30
		 5/8 PVC NAIL LEG	 ALLEN KEY M4

1	TOP PANEL	1 PC
2	BOTTOM PANEL	1 PC
3	SIDE PANEL (L/R)	2 PCS
4	TOP SUPPORT	2 PCS
5	CABINET LEG	1 PC



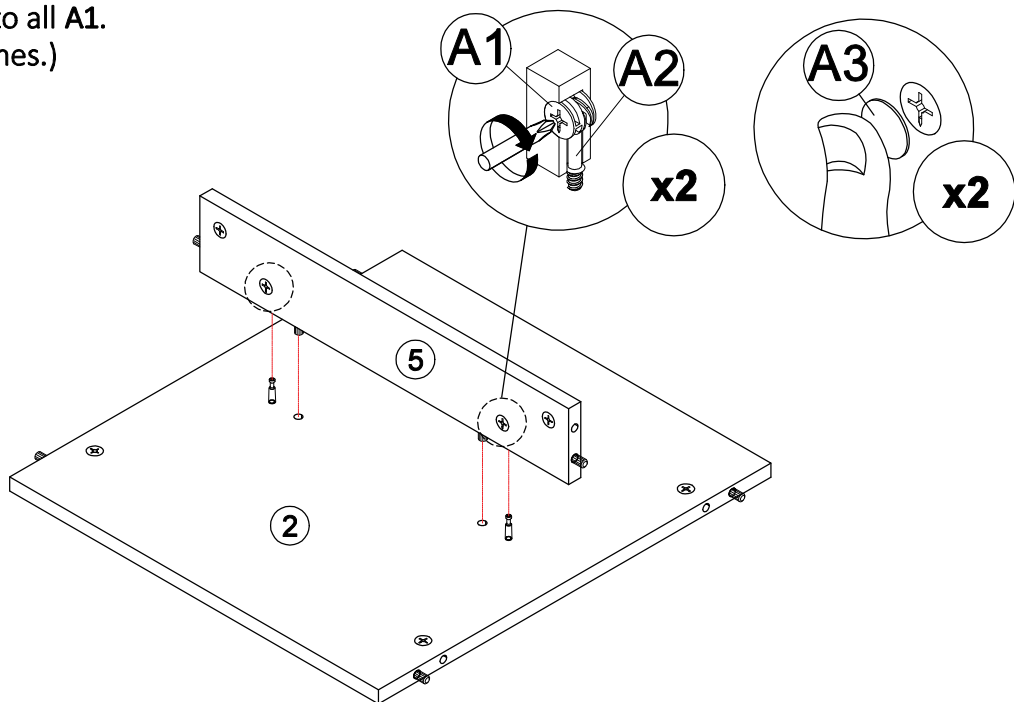
STEP 1:

- Insert hardware A1 onto panel (2), (3), (4) and (5).
(Repeat 24 times.)
- Insert hardware A2 onto panel (1), (2) and (3).
(Repeat 24 times.)
- Insert hardware B onto panel (2), (3) and (5).
(Repeat 16 times.)



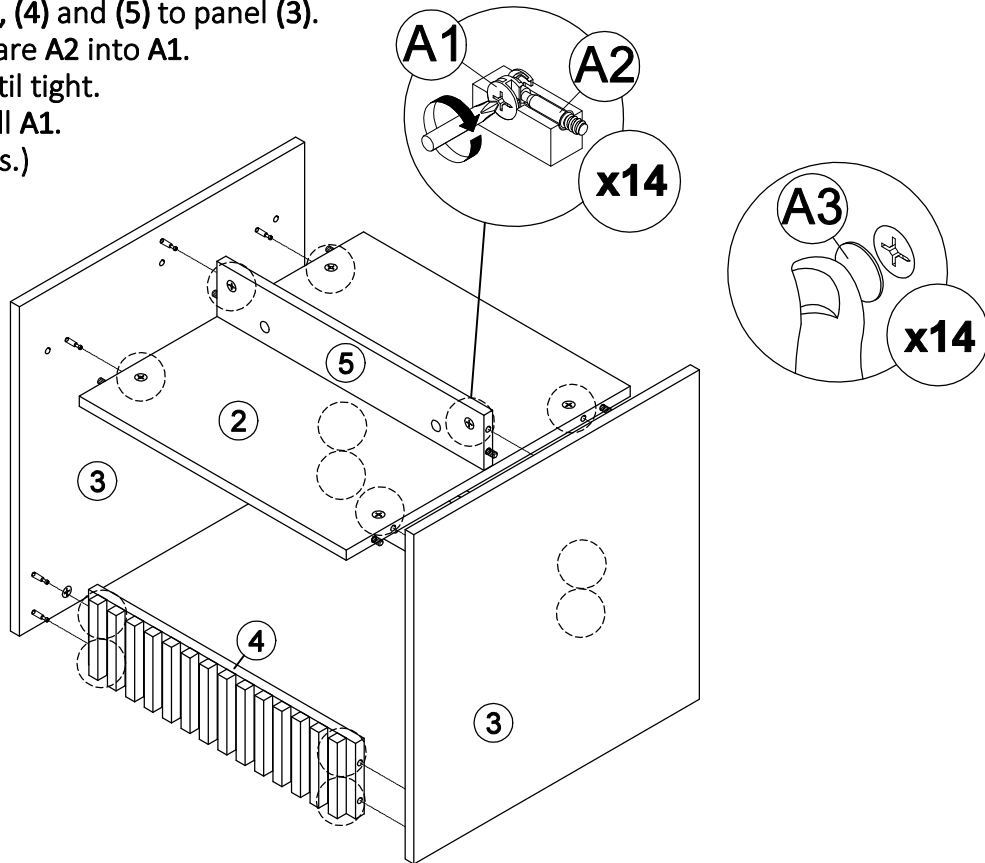
STEP 2:

- Attach panel (2) to panel (5).
- Insert all hardware A2 into A1.
- Rotate all A1 until tight.
- Apply A3 onto all A1.
(Repeat 2 times.)



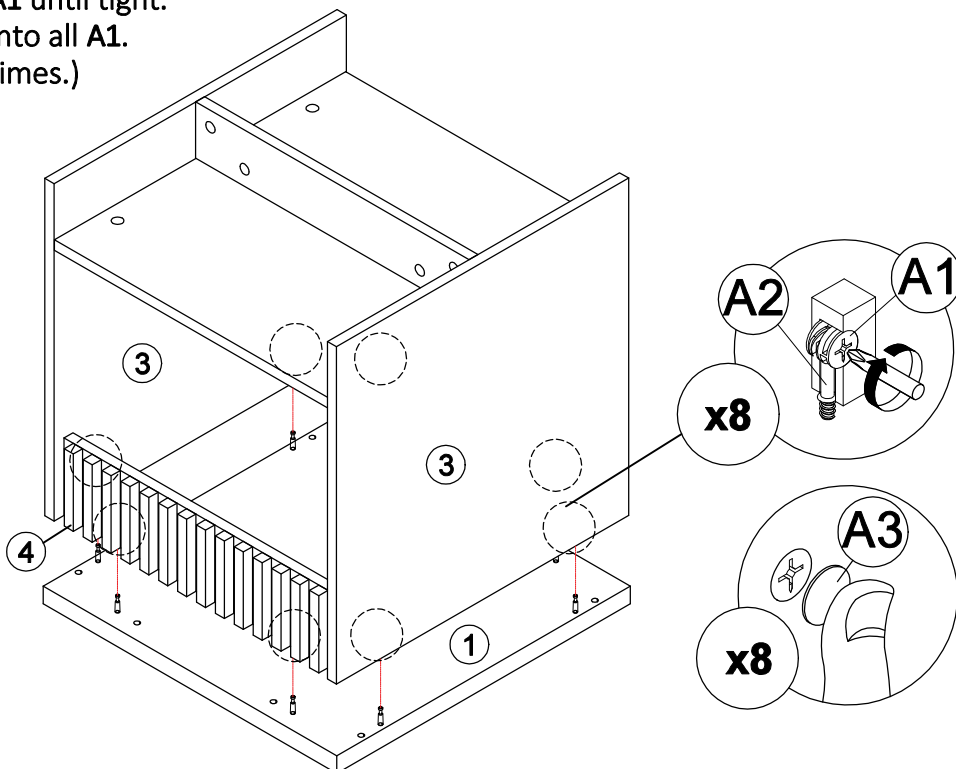
STEP 3:

- Attach panel (2), (4) and (5) to panel (3).
- Insert all hardware A2 into A1.
- Rotate all A1 until tight.
- Apply A3 onto all A1.
- (Repeat 14 times.)



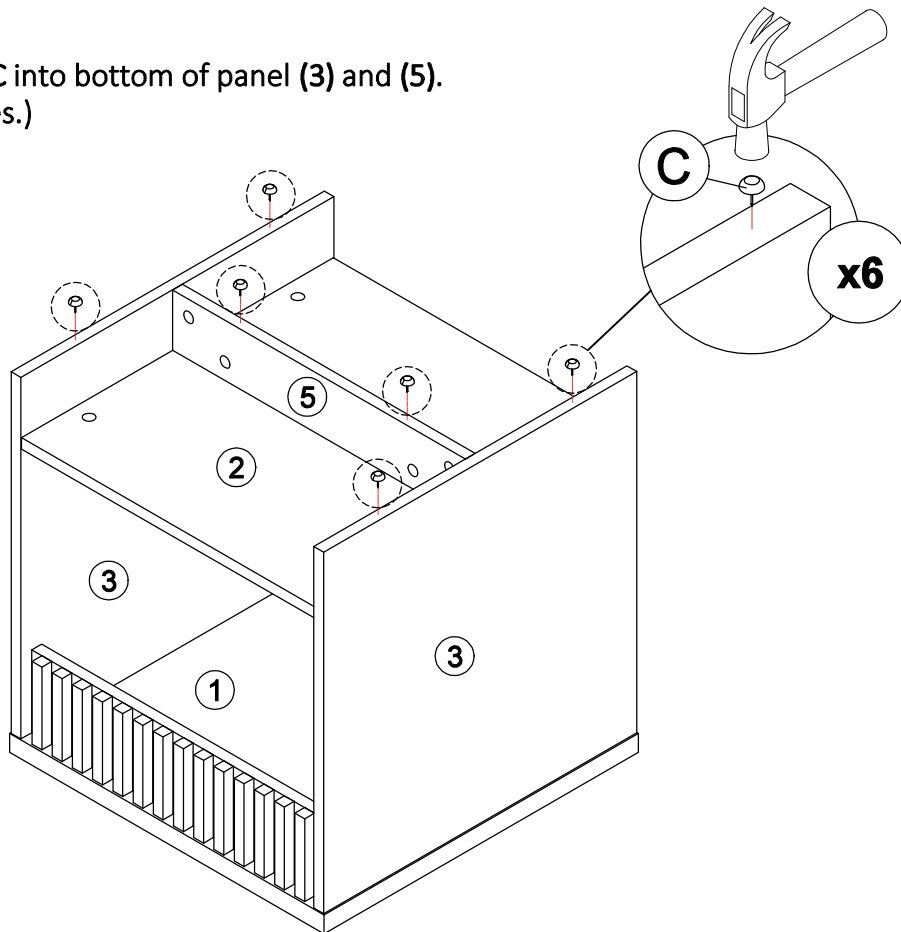
STEP 4:

- Attach panel (1) to panel (3) and (4).
- Insert all hardware A2 into A1.
- Rotate all A1 until tight.
- Apply A3 onto all A1.
- (Repeat 8 times.)

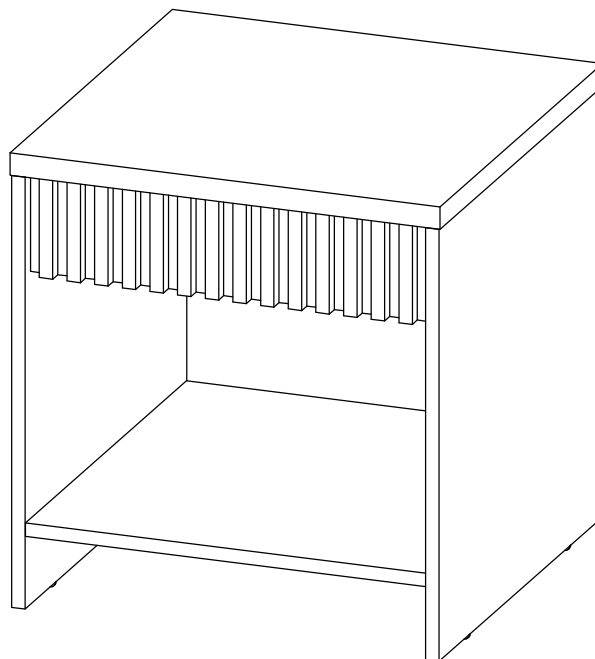


STEP 5:

- Hit hardware C into bottom of panel (3) and (5).
(Repeat 6 times.)



ASSEMBLY IS COMPLETE



SAFETY BRACKETS INSTRUCTIONS

1. Attach one Metal Bracket to the wall with the Wall Screw. Make sure to attach the Metal Bracket into a stud. If mounting into brick or masonry you will need to acquire wall anchors.
2. Attach the second Metal Bracket to the back of furniture frame with the Pan Head Screws.
3. Move the furniture to its final position. Thread a Cable Tie through the both Metal Bracket and tighten until snug. Do not over tighten.
4. Make sure that the Metal Bracket are firmly attached to the wall and furniture and that the Cable Tie is snug.

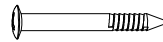
HARDWARE



Metal Bracket
X4



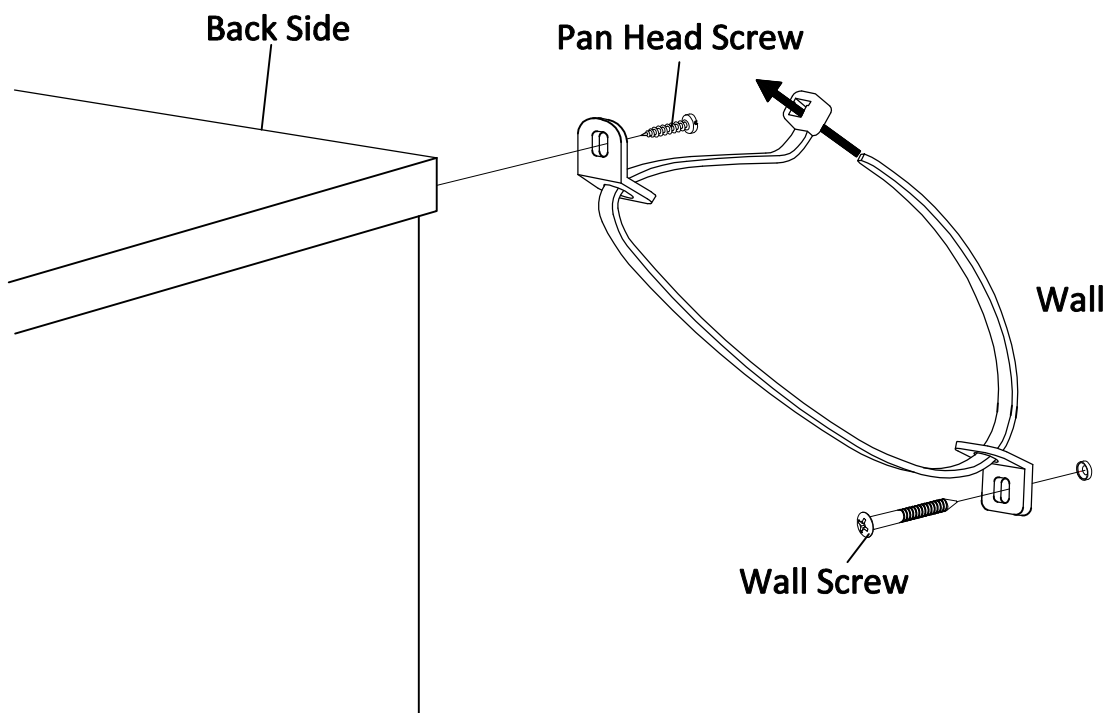
Cable Tie
X2



Wall Screw
X2



Pan Head Screw
X2



CARE AND MAINTENANCE

To protect your furniture, we suggest the following :

- Avoid placing your furniture in direct sunlight.
- Do not place furniture directly under window.
- Do not place sharp materials (knife, fork, etc.) directly onto your furniture as sharp material may scrape and damage the finish.
- Do not place material with high temperature directly onto the surface of your furniture.
- Clean up spills quickly. Water left over a prolonged period of time may cause damage. Alcohol, perfume, nail polishes, aftershave and some medication may cause server finish damage if not cleaned immediately.
- Use a clean, soft, dry, lint free absorbent cloth to clean your furniture. Do not use any detergent as they may contain ingredients that may react and damage the finish.

NOTE: If the above care advise is not adhered to your product warranty may become void.